

This catalogue supersedes all previous issues. All rights reserved in all countries. No part of this publication may be reproduced without our prior written consent. In NORMA Group's policy of continual product improvements to meet user needs and technological developments, all models and sets listed in this catalogue (photographs, specifications, sizes and weights) may be upgraded or discontinued without notice and without any obligation on our part to modify tools or equipment sold previously. The recommendations for use and safety given in this catalogue do not replace accepted good practice or the safety-related legal and regulatory provisions. References to standards force at 03/03/2016 are not contractually binding.

ABA, BREEZE, NORMA and TORRO are registered trademarks of the NORMA Group.



Customer Value through Innovation



SSL Quick Connector

SAE J2044 Compatible

NORMA Group

Postfach 1149 · D-63461 Maintal

Edisonstraße 4 · D-63477 Maintal

Germany

Tel.: +49 (6181) 4 03-0

Fax.: +49 (6181) 4 03-210

www.normagroup.com

info@normagroup.com



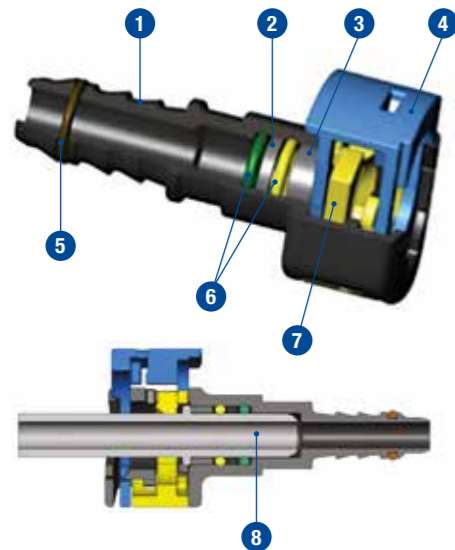
3-10Z-6-1600303-SE

www.normagroup.com

SSL Quick Connector

SSL plastic quick connector with a secondary latch has been developed for all applications where a secondary lock is required, in particular for fuel transport systems. This SAE quick connector can quickly and easily be assembled to an application without the use of a special tool. The secondary or verifying latch also serves as an installation aid. The latch cannot be moved into the closed position until the quick connector is installed correctly onto the mating spigot.

NORMA's SAE quick connectors are characterized by a primary "click" sound when installed correctly. With the SSL connector, a secondary "click" sound occurs and verifies the connection, in addition to the clear visual indicator. Joining NORMA Group's portfolio of quick connectors, the SSL is another solution designed to meet the needs of our global customers.



Connecting spigot

SSL quick connector can be used on both plastic and metal spigots designed per SAE J2044 specification.



The advantages at a glance

- Fast assembly without tools
- Compact connection
- Secondary latch
- Verification of proper assembly
- Fully serviceable
- Both primary and secondary latch can be disengaged from the same side

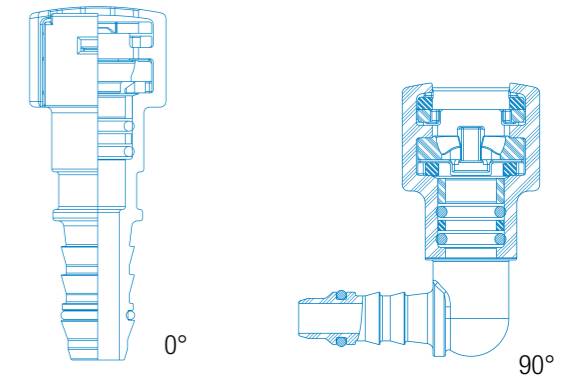
- 1 Housing
- 2 Spacer
- 3 Bushing
- 4 Slide lock (secondary retainer)
- 5 Firtree O-ring (optional)
- 6 O-rings
- 7 Primary retainer
- 8 End form

Applications

Passenger vehicles, light trucks, commercial vehicles, heavy equipment, agriculture vehicles. All applications where a secondary lock is required, in particular for fuel transport systems.

Summary of sizes

SSL quick connector comes standard in 0° and 90° versions. Special versions such as a 45° connector are available upon request.



Technical features

Meeting the requirements of SAE J2044 specification

Operating pressure*	Operating temperature*
Up to 10 bar (150 psi) Vacuum down to -0.5 bar (-7.2 psi)	-40°C (-40°F) to 115°C (239°F)

Nominal size**	Version 0°	Version 90°
1/4"***	X	X
5/16"	X	X
3/8"	X	X

* Higher requirements can be validated on request.

** Other sizes (e.g. metric) available on request.

*** For the 1/4" SSL quick connector design a minimum of 11.0 mm of clearance is required behind the bead of the end form (SAE standard for a 1/4" connector is 9.5 mm).

Standard materials

SSL connector is made of recyclable materials featuring extremely low permeation values.

Standard connector component material:

- Nylon PA12 GF30

Seal package material for fuel applications (including gasoline, diesel, biofuel and biodiesel):

- Fluorosilicon (FVMQ)
- High fluorine fluorocarbon (FKM)

Seal package material for Urea applications:

- EPDM



Unlocked position



Locked position