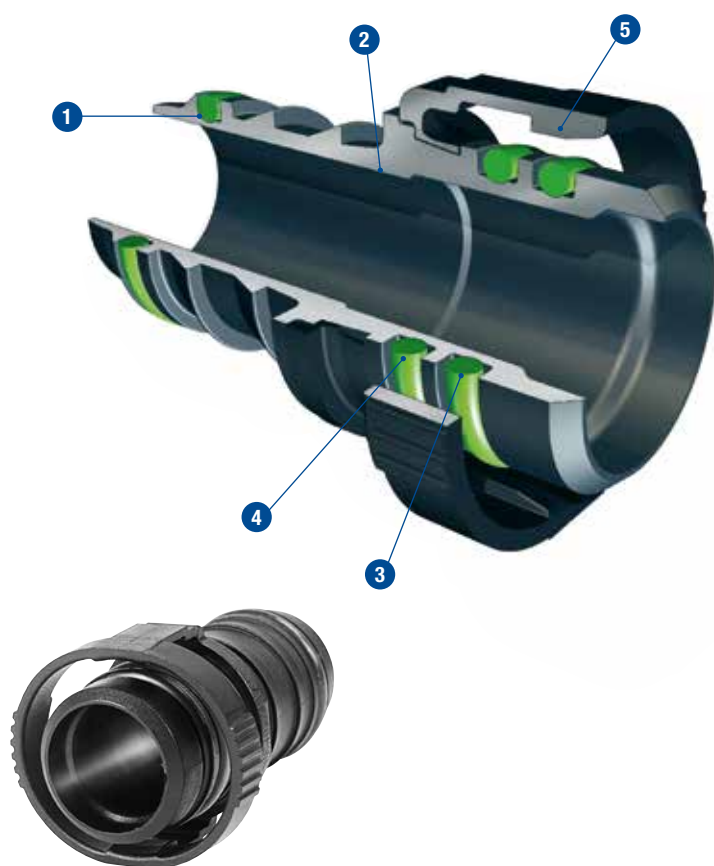


QUICK CONNECTORS

V2 – QUICK CONNECTORS

V2 plastic quick connectors are an ideal means to connect media-carrying lines as well as ventilation and exhaust lines in the automotive industry.



The advantages at a glance

Fast assembly without tool
 Robot assembly possible
 Compact dimensions
 Integrated seal
 The seals can be visually checked

- 1 Firtree plus O-ring (optional)
- 2 Housing
- 3 Primary O-ring
- 4 Secondary O-ring
- 5 Locking device (ring)

Applications

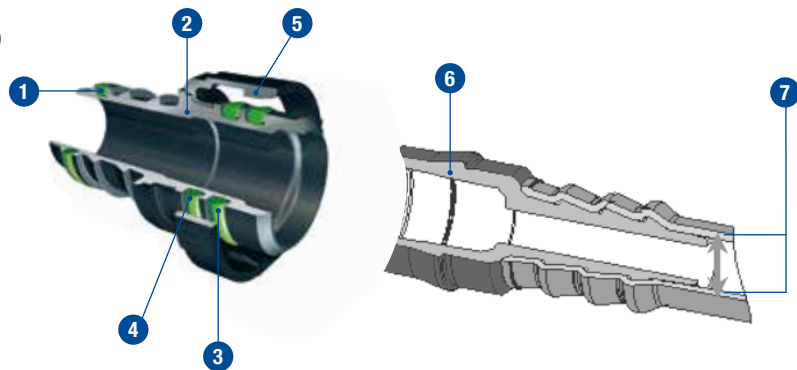
- Fuel tank ventilation
- Ventilation and exhaust lines
 - Secondary air lines
 - Crank case ventilation lines
- Oil cooler lines
- Vacuum brake line

V2

Connecting Spigot

To NORMA Group's standard (Production drawings will be made available on request) V2 connectors can be used on both plastic and metal spigots. Please note that all V2 connectors are delivered without spigot. However, we will be pleased to offer suitable spigots on request.

- 1 Firtree plus O-ring (optional)
- 2 Housing
- 3 Primary O-ring
- 4 Secondary O-ring
- 5 Locking device (ring)
- 6 Spigot
- 7 Pipe inside diameter = Nominal Width (NW)



Standard materials

V2 connectors are made from recyclable materials featuring extremely low permeation values. Our standard versions are made from Polyamide 6 with 30% glass fiber content or Polyamide 12 with 20% glass fiber content. The O-rings are made of NBR, HNBR, FPM and FVMQ as standard equipment.

Insiders' Tip

The perfectly matched system is achieved when combining V2 quick connectors and our fluid systems.



Technical features

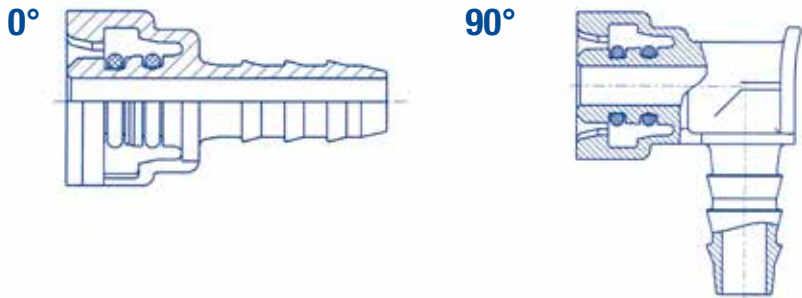
Medium/Fluid	Operating Pressure	Operating Temperature
Air, oil & fuel vapors	Approx. 2,5 bar excess pressure	Engine compartment: -40°C up to +135°C Short time up to +150°C (approx. 30 min.)

QUICK CONNECTORS

V2

Summary of sizes

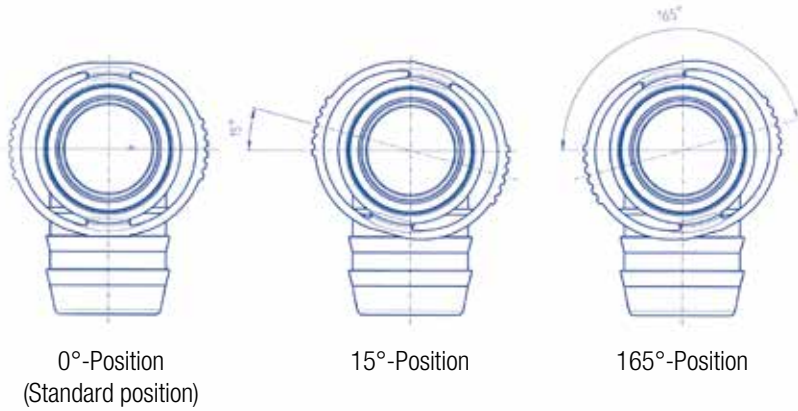
Two types of V2 connectors (0° and 90°) are available as standard versions.



Nominal width (mm) (inside diameter of the PA pipe to be connected)	0°	90°
4	X	X
6	X	X
7	X	X
8	X	X
10	X	X
12	X	X
15	X	X
19	X	X
25	X	–
27	X	X
33	X	–

Examples

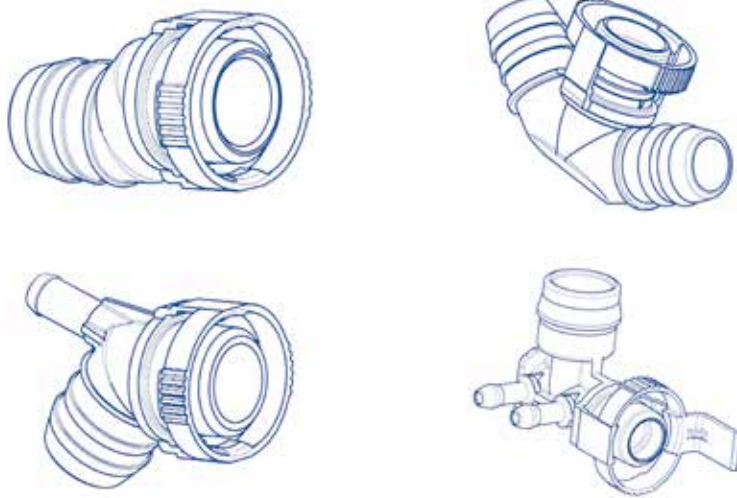
The drawings show the principle as exemplified by the V2 NW 19, 90° quick connector:



V2

Examples

During the last couple of years we have built up a selection of approx. 200 special/customized connector types. We will be pleased to inform you in more detail on request.



Enquiries/ordering

When making enquiries or placing orders please state as follows:

	1. Type	2. Nominal width	3. Variant
Example	V2	15	0°

Special installation dimensions may require the locking ring to be oriented at an angle which deviates from that of the standard version. For such cases we supply quick connectors with locking rings oriented at the following angles:

V2-NW 19 with locking ring oriented at an angle of 15°, 30°, 45° etc. in steps of 15°

V2-NW 27 with locking ring oriented at an angle of 10°, 20°, 30° etc. in steps of 10°