

BREEZE® Quick-Connect Jet Aero-Seal® Clamps

Originally patented for use in aircraft engines, BREEZE Aero-Seal clamps offer industrial-strength, vibration-proof, watertight sealing integrity – ideal for countless applications, including rail and transit, roofing, and multiple underground infrastructure projects. Designed to quickly engage – and then stay put until manually released, they offer a safe connection where it's most important.



Heavy-Duty Stainless Steel

- Designed to meet stringent vehicle & international quality standards

Installs Fast & Easy

- 4-piece Quadra-Lock construction
- Ideal for closed systems

A Safe Solution

- Once installed, connections can't snap open



MADE IN THE
USA



BREEZE®

Jet Aero-Seal® Clamps

Heavy-duty stainless steel worm-drive hose clamp designed for quick assembly in a variety of applications.



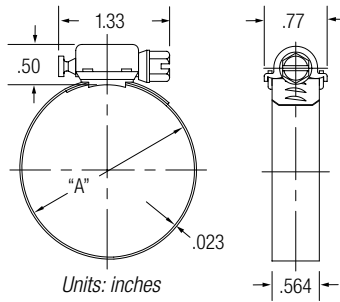
9/16" (14.2mm) Band

5/16" (7.9 mm) Hex head screw

9/16" – 12-1/4" Diameter range

Competitive Advantages

- | Arcial perforations for added strength & durability
- | 4-piece Quadra-Lock construction for strength & stability



Small neck diameter allows screws to move up and away from band slots

Large bearing diameter forces screw threads down into band slots, keeps clamps engaged under tension



SAE	600 JET AERO-SEAL		inches (A)		mm	
	Brand PN	Global PN	min	max	min	max
10	600 10 H	0361 0600 021	9/16	1-1/16	14	27
12	600 12 H	0361 0600 025	11/16	1-1/4	17	32
16	600 16 H	0361 0600 030	13/16	1-1/2	21	38
20	600 20 H	0361 0600 033	13/16	1-3/4	21	44
24	600 24 H	0361 0000 051	1-1/16	2	27	51
28	600 28 H	0361 0600 045	1-5/16	2-1/4	33	57
32	600 32 H B	0361 0600 052	1-9/16	2-1/2	40	64
36	600 36 H	0361 0600 058	1-13/16	2-3/4	46	70
40	600 40 H	0361 0600 064	2-1/16	3	52	76
44	600 44 H	0361 0600 071	2-5/16	3-1/4	59	83
48	600 48 H	0361 1600 077	2-9/16	3-1/2	65	89
52	600 52 H	0361 0002 071	2-13/16	3-3/4	71	95
56	600 56 H	0361 0001 078	3-1/6	4	78	102
60	600 60 H	0361 0001 084	3-5/16	4-1/4	84	108
64	600 64 H	0361 0001 091	3-9/16	4-1/2	91	114
72	600 72 H B	0361 0600 088	1-7/8	5	48	127
80	600 80 H	0361 0001 064	2-1/2	5-1/2	64	140
88	600 88 H	0361 0600 116	3-1/8	6	79	152
96	600 96 H B	0361 0600 129	3-5/8	6-1/2	92	165
104	600 104 H B	0361 0600 143	4-1/8	7	105	178
128	600 128 H	0361 0600 180	5-5/8	8-1/2	143	216
152	600 152 H	0361 0600 218	7-1/8	10	181	254
188	600 188 H	0361 0600 275	9-3/8	12-1/4	238	311

NORMA Americas Distribution Services

325 West Silverbell Road, Suite 230 | Lake Orion, MI 48359 USA
 Tel 1.855.NORMA2U | 1.855.667.6228 | Fax 1.855.804.4646 | Email norma2u@normagroup.com | www.normaAmericasDS.com

