

# Breeze Mini



A lightweight, streamlined hose clamp generally used in small-diameter applications, such as air and fuel lines.

5/16" Band with Arcial Perforations | Three-Piece Construction | SAE Standard J1508 Type M | Diameter Range 7/32" – 2 1/2"

### 3500 MINI

1/4" Plated Hex Screw  
5/16" Band in 300-Series SS  
One-Piece Housing in 300-Series SS

### 3600 MINI

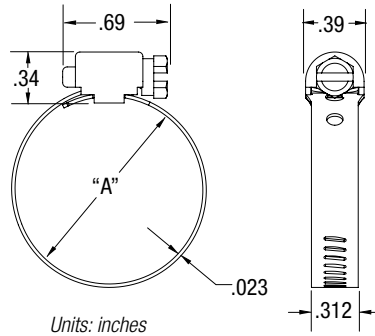
1/4" 410 Stainless Steel Hex Screw  
5/16" Band in 300-Series SS  
One-Piece Housing in 300-Series SS

### 3700 MINI

1/4" 300-Series SS Hex Screw  
5/16" Band in 300-Series SS  
One-Piece Housing in 300-Series SS

### 3800 MINI

1/4" 316 Stainless Steel Hex Screw  
5/16" Band in 316 Stainless Steel  
One-Piece Housing in 316 Stainless Steel



SAE	3500 MINI		3600 MINI		3700 MINI		3800 MINI		inches (A)		mm	
	Brand PN	Global PN	Brand PN	Global PN	Brand PN	Global PN	Brand PN	Global PN	min	max	min	max
4	3504	0360 0102 011	3604	0360 0103 011	3704	0360 0104 011	3804	0360 0105 011	7/32	5/8	6	16
6	3506	0360 0102 016	3606	0360 0103 016	3706	0360 0104 016	3806	0360 0105 016	7/16	25/32	11	20
8	3508	0360 0102 018	3608	0306 0103 018	3708	0360 0104 018	3808	0360 0105 018	1/2	29/32	13	23
10	3510	0360 0102 021	3610	0306 0103 021	3710	0360 0104 021	3810	0360 0105 021	9/16	1 1/16	14	27
12	3512	0360 0102 025	3612	0306 0103 025	3712	0360 0104 025	3812	0360 0105 025	11/16	1 1/4	17	32
16	3516	0360 0102 031	3616	0306 0103 031	3716	0360 0104 031	3816	0360 0105 031	15/16	1 1/2	24	38
20	3520	0360 0102 037	3620	0306 0103 037	3720	0360 0104 037	3820	0360 0105 037	1 3/16	1 3/4	30	44
24	3524	0360 0102 044	3624	0306 0103 044	3724	0360 0104 044	3824	0360 0105 044	1 7/16	2	37	51
28	3528	0360 0102 050	3628	0306 0103 050	3728	0360 0104 050	3828	0360 0105 050	1 11/16	2 1/4	43	57
32	3532	0360 0102 057	3632	0306 0103 057	3732	0360 0104 057	3832	0360 0105 057	1 15/16	2 1/2	49	64

# Breeze Fuel Injection



A small-diameter clamp for automotive fuel injection hoses; approved for all OEM applications.

Socket or Screwdriver Adjustable | SAE Standard J1508 Type FE | Diameter Range 10.5mm–15.5mm

### FUEL INJECTION

Zinc-Plated Combi-Slot Hex Head Screw  
9mm Band in Plated Steel  
Clamp Secured Nut

FUEL INJECTION		inches		mm (A)	
Brand PN	Global PN	min	max	min	max
FI 4 PB	0363 0000 012	0.41	0.49	10.5	12.5
FI 5 PB	0363 0000 014	0.49	0.57	12.5	14.5
FI 6 PB	0363 0000 015	0.53	0.61	13.5	15.5

