



FIXING & RETAINING



NORMAFIX® Stainless Steel Cable Tie



Easy fixing and high resistance to corrosion

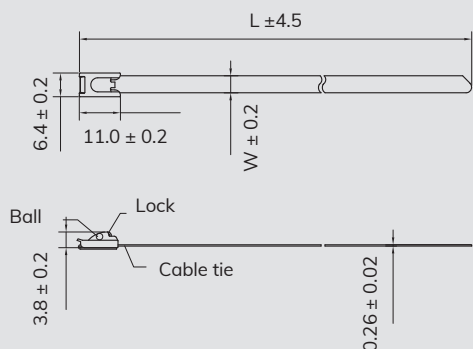
- ✓ Quick installation thanks to ball locking system
- ✓ Made fully of stainless steel AISI 304 and AISI 316
- ✓ High resistance to temperature, flame and corrosion
- ✓ Rounded edges for safe handling



normagroup.com



NORMAFIX® Stainless Steel Cable Tie



Applications

Cable and pipe fixing in shipbuilding, offshore, petrochemical plants, oil rigs and environments with a risk of fire (W5).

Used as flame safety in electrical installations to fix the metal I.D. plates which must be preserved in case of fire (W4).

Installations where high mechanical and UV resistance are required, e.g. photovoltaic systems (W4).

Materials and technical details

Raw material: AISI 304 (W4), AISI 316 (W5)	Installation temperature: -80 °C to +500 °C
Humidity absorption: NO sign	Flammability rating: NOT flammable
Working temperature: -80 °C to +500 °C	

Part number	Material W4	Width W (mm)	Length L (mm)	Max. bundle Ø DN (mm)	Min. tensile strength (N)	Packaging quantity polybag (pcs)	Packaging quantity carton (pcs)
0892 7012 002	AISI 304	4.6	200	50	1,000	100	10,000
0892 7012 003	AISI 304	4.6	250	63	1,000	100	8,000
0892 7012 005	AISI 304	4.6	350	89	1,000	100	5,000
0892 7012 007	AISI 304	4.6	450	115	1,000	100	4,000
0892 7012 042	AISI 304	4.6	650	167	1,000	100	3,000
0892 7012 043	AISI 304	4.6	800	193	1,000	100	2,000
0892 7012 010	AISI 304	7.8	200	50	2,200	100	5,000
0892 7012 011	AISI 304	7.8	250	63	2,200	100	2,500
0892 7012 013	AISI 304	7.8	350	89	2,200	100	2,500
0892 7012 016	AISI 304	7.8	500	115	2,200	100	2,000
0892 7012 044	AISI 304	7.8	650	167	2,200	100	2,000
0892 7012 045	AISI 304	7.8	800	193	2,200	100	1,500
0892 7012 046	AISI 304	7.8	1,000	206	2,200	100	1,000

Part number	Material W5	Width W (mm)	Length L (mm)	Max. bundle Ø DN (mm)	Min. tensile strength (N)	Packaging quantity polybag (pcs)	Packaging quantity carton (pcs)
0892 7012 047	AISI 316	4.6	200	50	1,000	100	10,000
0892 7012 048	AISI 316	4.6	250	63	1,000	100	8,000
0892 7012 049	AISI 316	4.6	350	89	1,000	100	5,000
0892 7012 050	AISI 316	4.6	450	115	1,000	100	4,000
0892 7012 051	AISI 316	4.6	650	167	1,000	100	3,000
0892 7012 052	AISI 316	4.6	800	193	1,000	100	2,000
0892 7012 053	AISI 316	7.8	200	50	2,200	100	5,000
0892 7012 054	AISI 316	7.8	250	63	2,200	100	2,500
0892 7012 055	AISI 316	7.8	350	89	2,200	100	2,500
0892 7012 056	AISI 316	7.8	500	115	2,200	100	2,000
0892 7012 057	AISI 316	7.8	650	167	2,200	100	2,000
0892 7012 058	AISI 316	7.8	800	193	2,200	100	1,500
0892 7012 059	AISI 316	7.8	1,000	206	2,200	100	1,000



Do you have questions or wish to discuss your application?
 Contact your sales representative today to find out more.
 Or visit our website for more information about our products: normagroup.com



NORMA Group Holding GmbH | Edisonstr. 4 | 63477 Maintal | Germany | normagroup.com

This document supersedes all previous issues. No part of this publication may be reproduced without our prior written consent. In NORMA Group's policy of continual product improvements to meet user needs and technological developments, all models and sets listed in this file (photographs, specifications, sizes and weights) may be upgraded or discontinued without notice and without any obligation on our part to modify tools or equipment sold previously. The recommendations for use and safety given in this file do not replace accepted good practice or the safety related legal and regulatory provisions. References to standards implemented as of 1 July 2019 are not contractually binding.