

BREEZE T-BOLT SPRING LOADED



- ① **Large spring**
- ② **Small spring**
- ③ **Floating bridge for 360° loading**
- ④ **Solid S40 stainless steel band**

Heavy-Duty Large Spring

A clamp that is performance engineered for long-term durability and manufactured to the highest quality standards. The Spring-Loaded T-Bolt clamps provide comprehensive application coverage and are performance engineered.

They meet the same durability, torque and quality standards as the T-Bolt clamps. The spring design adds constant tension performance.

Advantages at a glance

- Increased sealing reliability across a wide temperature range
- Automatic re-tensioning during temperature changes
- High-strength clamp design
- Per SAE standard J1508 Type "SLTB"

Typical applications

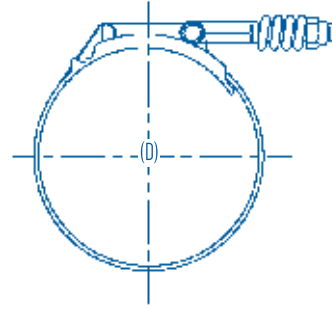
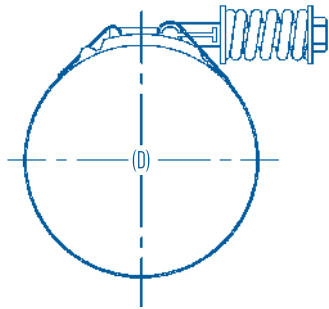
- Designed for a wide variety of automotive, industrial and marine applications

Materials



* Classified by corrosion resistance. Band material S40/Screw material S10. According to DIN norm it is comparable to W2.

Dimensions



Specifications

BREEZE T-BOLT SPRING LOADED (HEAVY DUTY)			
Width (mm)	Clamping ranges (D mm)	Clamping ranges (D in.)	SIO Product No.
19	54-61.9	2 1/8-2 3/8	0363 0004 058
	57.2-65.1	2 1/4-2 9/16	0363 0004 061
	60.3-68.3	2 3/8-2 11/16	0363 0004 064
	63.5-71.4	2 1/2-2 13/16	0363 0004 068
	66.7-74.6	2 5/8-2 15/16	0363 0004 071
	69.9-77.8	2 3/4-3 1/16	0363 0004 074
	73-81	2 7/8-3 3/16	0363 0004 077
	76.2-84.1	3-3 5/16	0363 0004 080
	77.8-85.7	3 1/16-3 3/8	0363 0004 082
	79.4-87.3	3 1/8-3 7/16	0363 0004 084
	82.6-90.5	3 1/4-3 9/16	0363 0004 087
	85.7-93.7	3 3/8-3 11/16	0363 0004 090
	88.9-96.8	3 1/2-3 13/16	0363 0004 093
	90.5-98.4	3 9/16-3 7/8	0363 0004 094
	92.1-100	3 5/8-3 15/16	0363 0004 096
	95.3-103.2	3 3/4-4 1/16	0363 0004 099
	103.2-111.1	4 1/16-4 3/8	0363 0004 107
	104.8-112.7	4 1/8-4 7/16	0363 0004 109
	108-115.9	4 1/4-4 9/16	0363 0004 112
	114.3-122.2	4 1/2-4 13/16	0363 0004 118
	115.9-123.8	4 9/16-4 7/8	0363 0004 120
	127-134.9	5-5 1/4	0363 0004 131
	133.4-141.3	5 1/4-5 9/16	0363 0004 137
	139.7-147.6	5 1/2-5 13/16	0363 0004 144
	146.1-154	5 3/4-6 1/16	0363 0004 150
	152.4-160.3	6-6 5/16	0363 0004 156
	158.8-166.7	6 1/4-6 9/16	0363 0004 163
	165.1-173	6 1/2-6 13/16	0363 0004 169
	177.8-185.7	7-7 5/16	0363 0004 182
	184.2-192.1	7 1/4-7 9/16	0363 0004 188
	190.5-198.4	7 1/2-7 13/16	0363 0004 195

BREEZE T-BOLT SMALL SPRING (STANDARD DUTY)			
Width (mm)	Clamping ranges (D mm)	Clamping ranges (D in.)	SIO Product No.
19	54-61.9	2 1/8-2 3/8	0363 0006 058
	57.2-65.1	2 1/4-2 9/16	0363 0006 061
	60.3-68.3	2 3/8-2 11/16	0363 0006 064
	63.5-71.4	2 1/2-2 13/16	0363 0006 068
	66.7-74.6	2 5/8-2 15/16	0363 0006 071
	69.9-77.8	2 3/4-3 1/16	0363 0006 074
	73-81	2 7/8-3 3/16	0363 0006 077
	76.2-84.1	3-3 5/16	0363 0006 080
	77.8-85.7	3 1/16-3 3/8	0363 0006 082
	79.4-87.3	3 1/8-3 7/16	0363 0006 084
	82.6-90.5	3 1/4-3 9/16	0363 0006 087
	85.7-93.7	3 3/8-3 11/16	0363 0006 090
	88.9-96.8	3 1/2-3 13/16	0363 0006 093
	90.5-98.4	3 9/16-3 7/8	0363 0006 094
	92.1-100	3 5/8-3 15/16	0363 0006 096
	95.3-103.2	3 3/4-4 1/16	0363 0006 099
	103.2-111.1	4 1/16-4 3/8	0363 0006 107
	104.8-112.7	4 1/8-4 7/16	0363 0006 109
	108-115.9	4 1/4-4 9/16	0363 0006 112
	114.3-122.2	4 1/2-4 13/16	0363 0006 118
	115.9-123.8	4 9/16-4 7/8	0363 0006 120
	127-134.9	5-5 1/4	0363 0006 131
	133.4-141.3	5 1/4-5 9/16	0363 0006 137
	139.7-147.6	5 1/2-5 13/16	0363 0006 144
	146.1-154	5 3/4-6 1/16	0363 0006 150
	152.4-160.3	6-6 5/16	0363 0006 156
	158.8-166.7	6 1/4-6 9/16	0363 0006 163
	165.1-173	6 1/2-6 13/16	0363 0006 169
	177.8-185.7	7-7 5/16	0363 0006 182
	184.2-192.1	7 1/4-7 9/16	0363 0006 188
	190.5-198.4	7 1/2-7 13/16	0363 0006 195