

ABA ORIGINAL SMO



- ① Hexagon screw
- ② Traceability code
- ③ One-piece pressed housing
- ④ Smooth band underside

For the most extreme environments

Produced in SMO 254 material for extreme environments where lower grade stainless steel or acid proof material is not enough. SMO 254 is an austenitic stainless steel designed for maximum resistance to pitting and crevice corrosion and has a very good resistance to various types of stress corrosion.

Advantages at a glance

- Every clamp is date stamped for traceability
- Excellent resistance against pitting and crevice corrosion
- Very high resistance against stress corrosion cracking
- Strong performance under heavy mechanical loads

Typical applications

- Wire for parts for seawater handling equipments
- Chemical and food processing equipments
- Oil and gas production equipments
- Marine and shipbuilding

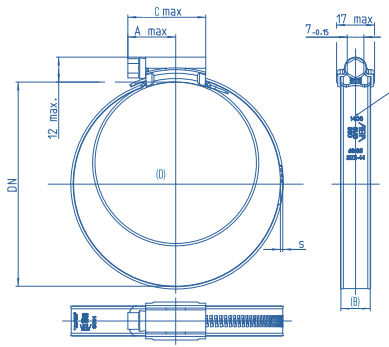
Material



ABA Original SMO S60

- This steel is especially suited for high chloride environments such as brackish water, seawater and high chloride resistance streams.
- All parts produced from SMO 254 material / SS 2378 / EN 1.4547 / S31254
- Min time to red rust - well over 4000 hours

Dimensions



Specifications

ABA ORIGINAL SMO 12 MM				
Width (B mm)	Clamping ranges (D mm)	Clamping ranges (D in.)	Thickness (S mm)	S60 Product No.
12	15-24	9/16-15/16	0.8	0813 0043 020
	19-28	3/4-1 1/8	0.8	0813 0043 024
	22-32	7/8-1 1/4	0.8	0813 0043 027
	26-38	1-1 1/2	0.8	0813 0043 032
	32-44	1 1/4-1 3/4	0.8	0813 0043 038
	38-50	1 1/2-2	0.8	0813 0043 044
	44-56	1 3/4-2 3/16	0.8	0813 0043 050
	50-65	2-2 9/16	0.8	0813 0043 058
	58-75	2 1/4-2 15/16	0.8	0813 0043 067
	68-85	2 11/16-3 3/8	0.8	0813 0043 077
	77-95	3-3 3/4	0.8	0813 0043 086
	87-112	3 7/16-4 7/16	0.8	0813 0043 100
	104-138	4 1/16-5 7/16	0.8	0813 0043 121
	130-165	5 1/8-6 1/2	0.8	0813 0043 148
	150-180	5 15/16-7 1/16	0.8	0813 0043 165
	175-205	6 7/8-8 1/16	0.8	0813 0043 190
	200-231	7 7/8-9 1/16	0.8	0813 0043 216
226-256	8 7/8-10 1/16	0.8	0813 0043 241	
251-282	9 7/8-11 1/8	0.8	0813 0043 267	
277-307	10 15/16-12 1/16	0.8	0813 0043 292	