

BREEZE AERO-SEAL



- ① **Hex head Screw**
- ② **Heavy-duty Quadra-Lock design**
- ③ **Conical Arched Perforated Slots:** More steel between perforations for added strength and smoother worm-drive engagement

The original perforated stainless steel worm-drive clamp

A heavy-duty Quadra-Lock construction enables far more tightening torque to be delivered to the band perforations. Use for aircraft and heavy-duty industrial applications.

Advantages at a glance

- Very high break torque
- Different screws depending on uses
- Stronger performance

Typical applications

- Commercial vehicles
- Passenger vehicles
- Industrial

Materials

S10	S20	S30 (W3)	S40 (W4)	S50	S60
×	*	**	×		

* Classified by corrosion resistance. Band material S40/Screw material S10. According to DIN norm it is comparable to W2.

** Classified by corrosion resistance. Band material S40/Screw material S30.

Type of bands housing and screw

Thumb/Wing screw

- Only available in S30 material

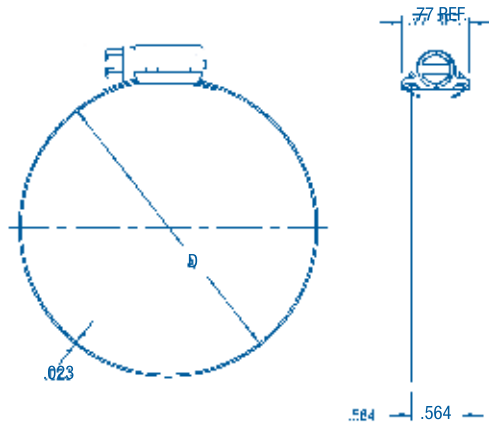


Safe-seal screw head

- Safe-seal collared screw.
Only available in S30 material



Dimensions



Specifications

BREEZE AERO-SEAL						
Width (mm)	Clamping ranges (D mm)	Clamping ranges (D in.)	Hexagonal slotted screw (mm)	S10 Product No. Carbon Screw	S30 Product No. 410 Stainless Screw*	S40 Product No. 304 Stainless Screw
14.2	11-20	7/16-13/16	7.9	0360 0000 016	0360 0020 016	0360 0030 016
	13-23	1/2-15/16		0360 0000 018	0360 0020 018	0360 0030 018
	14-27	9/16-11/16		0360 0000 021	0360 0020 021	0360 0030 021
	17-32	11/16-11/4		0360 0000 025	0360 0020 025	0360 0030 025
	21-38	13/16-11/2		0360 0000 030	0360 0020 030	0360 0030 030
	21-44	13/16-1 3/4		0360 0000 033	0360 0020 033	0360 0030 033
	27-51	11/16-2		0360 0000 039	0360 0020 039	0360 0030 039
	33-57	15/16-2 1/4		0360 0000 045	0360 0020 045	0360 0030 046
	40-64	19/16-2 1/2		0360 0000 052	0360 0020 052	0360 0030 052
	46-70	113/16-2 3/4		0360 0000 058	0360 0020 058	0360 0030 058
	52-76	2 1/16-3		0360 0000 064	0360 0020 064	0360 0030 064
	59-83	2 5/16-3 1/4		0360 0000 071	0360 0020 071	0360 0030 071
	65-89	2 9/16-3 1/2		0360 0000 077	0360 0020 077	0360 0030 077
	71-95	2 13/16-3 3/4		0360 0000 083	0360 0020 083	0360 0030 083
	78-102	3 1/16-4		0360 0000 090	0360 0020 090	0360 0030 090
	84-108	3 5/16-4 1/4		0360 0000 096	0360 0020 096	0360 0030 096
	91-114	3 9/16-4 1/2		0360 0010 103	0360 0020 103	0360 0030 103
	48-127	1 7/8-5		0360 0000 088	0360 0020 088	0360 0030 088
	64-140	2 1/2-5 1/2		0360 0000 102	0360 0020 102	0360 0030 102
	79-152	3 1/8-6		0360 0000 116	0360 0020 116	0360 0030 116
	92-165	3 5/8-6 1/2		0360 0000 129	0360 0020 129	0360 0030 129
	105-178	4 1/8-7		0360 0000 142	0360 0020 142	0360 0030 142
	143-216	5 5/8-8 1/2		0360 0000 180	0360 0020 180	0360 0030 180
	181-254	7 1/8-10		0360 0000 218	0360 0020 218	0360 0030 218
	238-311	9 3/8-12 1/4		0360 0000 275	0360 0020 275	0360 0030 275

*410 Stainless Steel Hex Screw also available with thumb/wing screw and safety collar screw